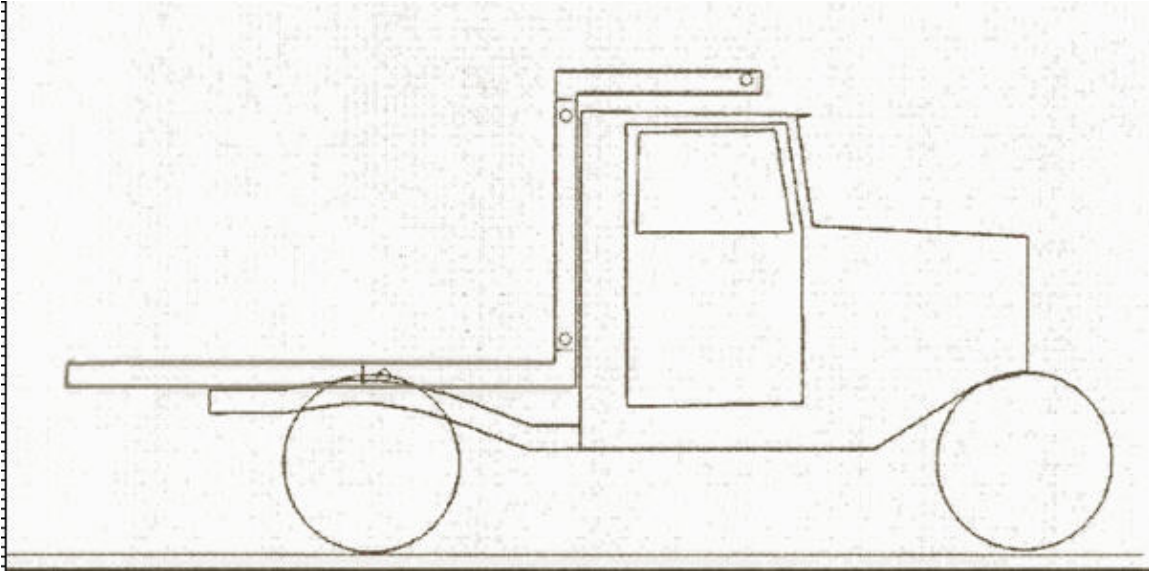
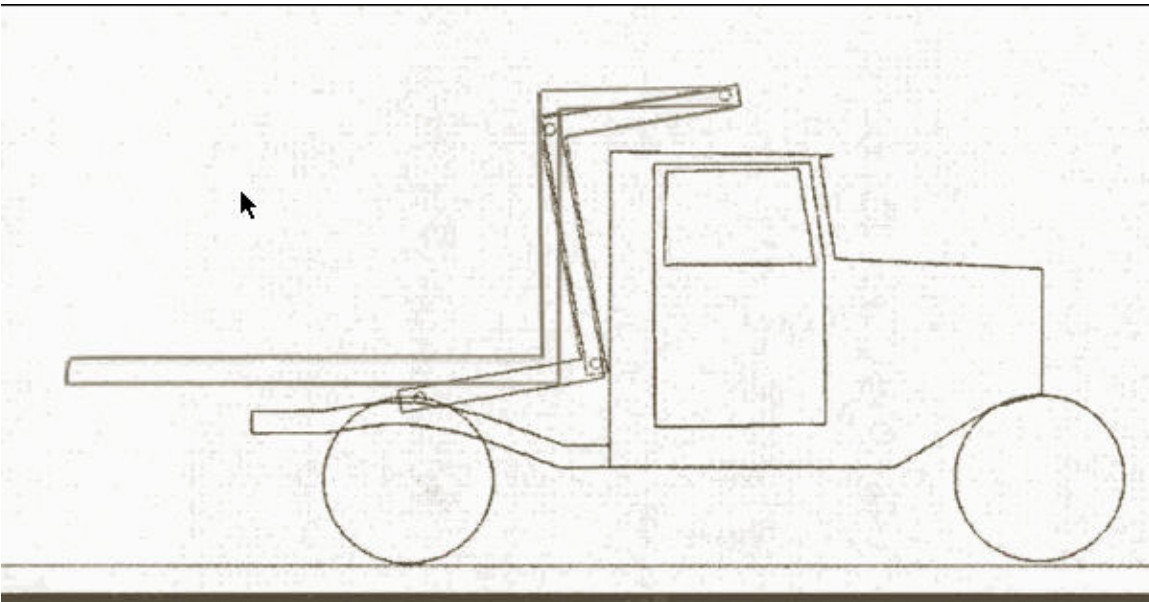


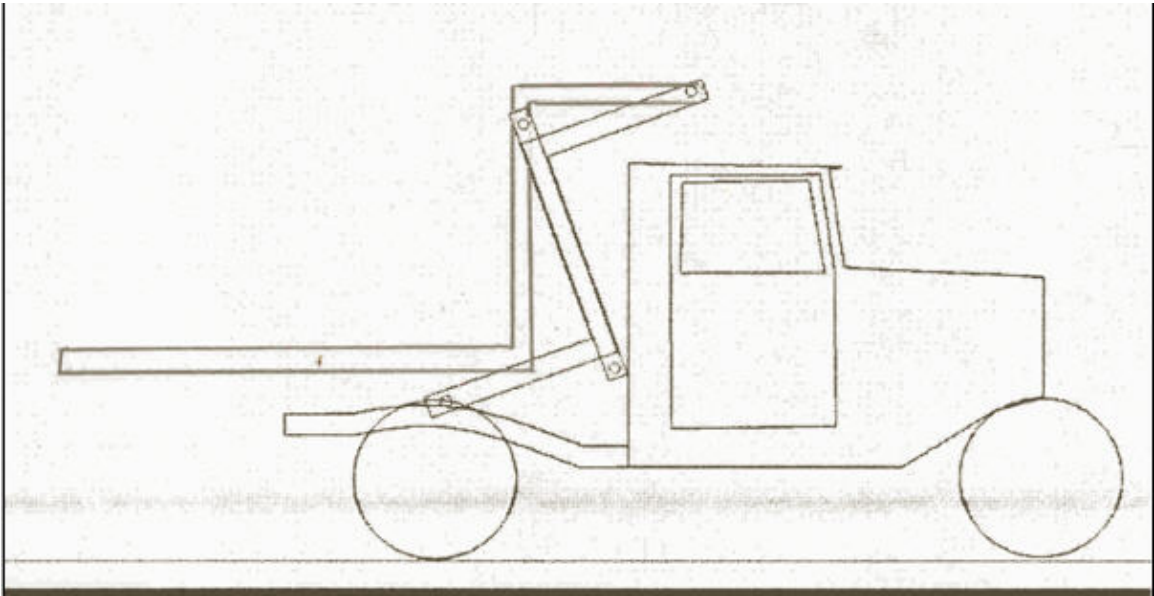
Ezi-Lift



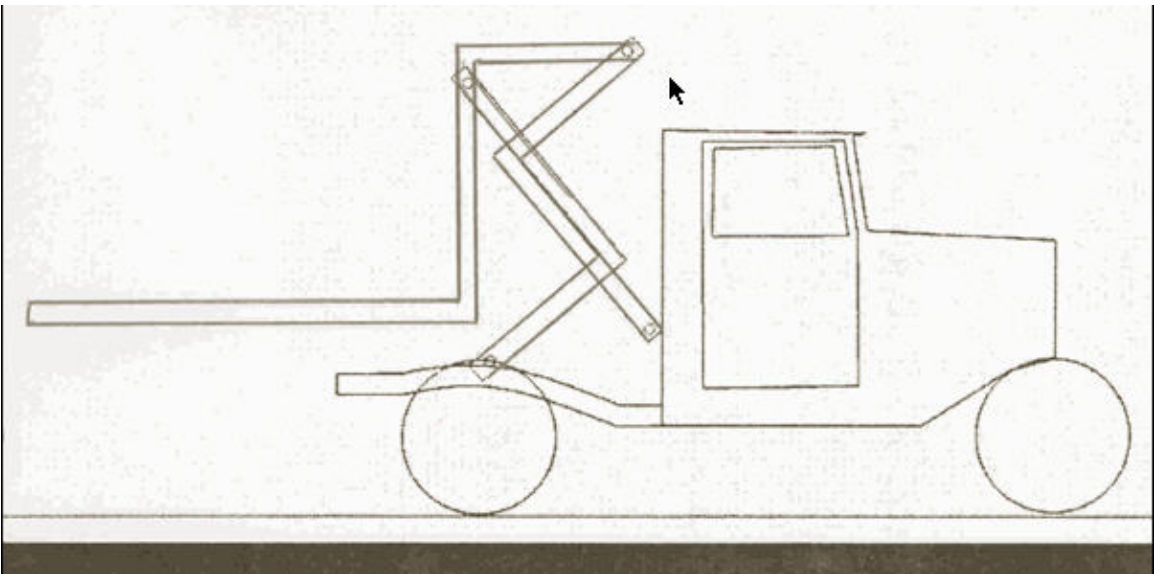
- Ezi-Lift is a logical add-on tray that is used as a lifting platform for small trucks/utilities.



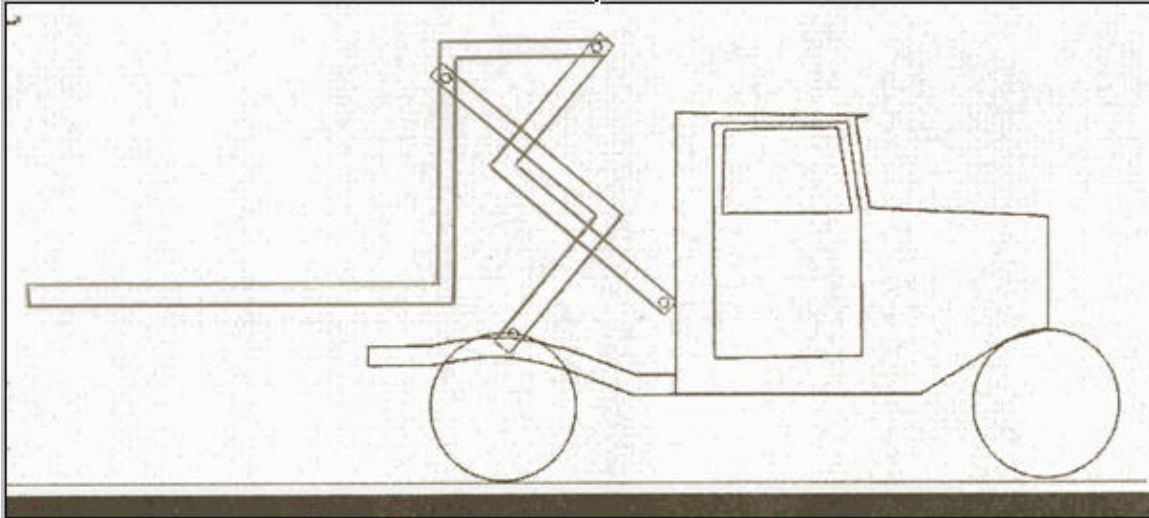
- It fills a major gap in the market for economical loading and unloading product for transport weighing.



- Ezi-Lift can be attached to any light truck chassis.



- The loading mechanism may be operated hydraulically or by a number of other mechanical methods.



- No double handling, roll on, stay on, roll off
- The only power that is required is sourced from the vehicle

This is the simplest addition to any work vehicle.

Lift the payload off the ground or onto the ground, without risking either the load, or the operator.

Software is written that provides a print-out of the cutting requirement for any light truck chassis.

END